

COPELAND COMPRESSORS

R404A (R507) Medium Temperature ZB Scroll Compressors

Capacities R404A (R507)

Airefrig Part Number		Refrigeration Capacity - <u>W</u> atts						Consumption - <u>P</u> ower			Current - <u>A</u> mps				Kgs
			Condensing Temperature °C						Displ cm ³ /r	Motor					
			Evaporating Temperature °C							HP	Type	*Amps	LRA		
			-15	-10	-5	0	5	7.2							
ZB45KCETFD551 - Rotalock Valve Kit - Crankcase Heater - Oil Sight Glass - POE Oil	W	45.0	8300	10050	12100	14400	17100	18400	98.0	6.0	3Ph	MCC 14.2 RLA 13.1	74.0	40	
	P		4760	4750	4730	4700	4660	4640							
	A		9.5	9.5	9.5	9.5	9.4	9.4							
	W	50.0	7500	9100	10950	13100	15500	16700							
	P		5350	5350	5300	5300	5250	5200							
	A		10.3	10.3	10.3	10.3	10.2	10.2							
	W	55.0	6650	8100	9750	11700	13900	14950							
	P		6050	6000	6000	5950	5900	5850							
	A		11.3	11.3	11.2	11.2	11.1	11.1							
ZB58KQETFD551 - Rotalock Valve Kit - Crankcase Heater - Oil Sight Glass - POE Oil	W	45.0	10750	13250	16050	19150	22700	24400	127.1	8.0	3Ph	MCC 23.0 RLA 16.4	95.0	60	
	P		6310	6340	6380	6410	6410	6390							
	A		12.1	12.15	12.25	12.3	12.35	12.3							
	W	50.0	9540	11950	14600	17500	20800	22300							
	P		7080	7070	7090	7110	7110	7100							
	A		12.95	13.0	13.1	13.15	13.15	13.15							
	W	55.0	8210	10550	13000	15750	18750	20200							
	P		7950	7910	7910	7910	7900	7880							
	A		14.0	14.0	14.05	14.1	14.1	14.1							
ZB76KQETFD551 - Rotalock Valve Kit - Crankcase Heater - Oil Sight Glass - POE Oil	W	45.0	14650	17750	21300	25400	30000	32300	165.6	10.0	3Ph	MCC 28.0 RLA 20.4	118.0	66	
	P		8150	8250	8320	8390	8430	8450							
	A		15.05	15.2	15.3	15.4	15.45	15.5							
	W	50.0	13250	16150	19400	23100	27400	29400							
	P		9040	9140	9220	9290	9340	9350							
	A		16.2	16.35	16.5	16.6	16.65	16.7							
	W	55.0	11800	14450	17400	20800	24600	26500							
	P		10000	10100	10200	10300	10350	10350							
	A		17.5	17.65	17.8	17.95	18.05	18.05							

Rating Conditions: 18.3°C Return Gas, 0 K Subcooling, 35°C Ambient.

Supplied with: Internal Motor Protection, Rubber Mounting Kit

*Amps : MCC = maximum continuous current, RLA = MCC ÷ 1.4 (Copeland advises use RLA for contactor selection)

Prices

Airefrig Part Number	List Price Excl GST
ZB45KCETFD551	\$3,972.63

Airefrig Part Number	List Price Excl GST
ZB58KQETFD551	\$4,292.19

Airefrig Part Number	List Price Excl GST
ZB76KQETFD551	\$4,526.34

IMPORTANT – WARNING TO BE CLEARLY UNDERSTOOD PRIOR TO RUNNING ANY SCROLL COMPRESSOR:

- It is important that the SCROLL compressor is charged as quickly as possible by way of LIQUID REFRIGERANT INTO THE LIQUID LINE, this is to avoid insufficient volume of suction gas that would be detrimental to the compressor.
- **DO NOT VAPOUR CHARGE THE SYSTEM!**
- It is recommended the required refrigerant charge is bomb charged into the liquid side of the system.
- Topping up the system can be done carefully on the low side with liquid refrigerant through manifold service gauges.
- The **suction service valve** must NOT BE FULLY CLOSED at any time when the compressor is running.

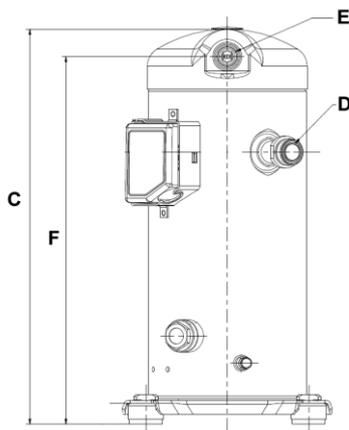
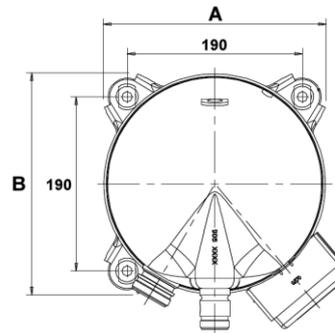
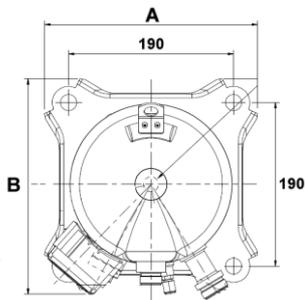
COPELAND COMPRESSORS

R404A (R507) Medium Temperature ZB Scroll Compressors

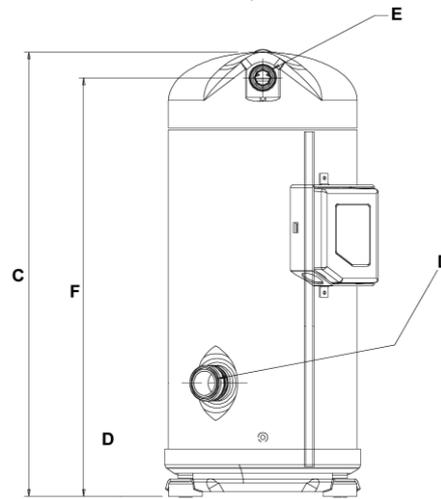
Dimensions & Specifications

Airefrig Part Number	A	B	C	F	Connections		Oil Charge Litres	Run Capacitor MFD/Volts	C/Case Heater Not Supplied	Wiring Drg. No.
					Suct D	Disch E				
ZB45KCETFD551	246	251	460	430	7/8	1/2	1.89	N/A	018005700	-
ZB58KQETFD551	243	243	496	465	1 3/8	7/8	2.51		018004701	-
ZB76KQETFD551	243	243	553	521	1 3/8	7/8	3.25			-

Supplied with: Internal Motor Protection, Rubber Mounting Kit



ZB45



ZB58 - 76

COPELAND COMPRESSORS

R22 Air Conditioning Scroll Compressors

Capacities R22

Airefrig Part Number		Refrigeration Capacity - <u>W</u> atts							Consumption - <u>P</u> ower		Current - <u>A</u> mps				Kgs
			Condensing Temperature °C						Displ cm ³ /r	Motor					
			Evaporating Temperature °C							HP	Type	*Amps	LRA		
			-10	-5	0	7.2	10	12.8							
ZR28K3EPFJ522 - Stub Tubes - POE Oil	W	45.0	3835	4630	5820	7530	8320	9160	39.2	2.33	PSC	MCC 18.0 RLA 12.9	61.0	28	
	P		1850	1832	1803	1767	1767	1756							
	A		8.9	8.8	8.7	8.5	8.5	8.5							
	W	50.0	3640	4410	5560	7220	8000	8800							
	P		2060	2037	2007	1973	1953	1953							
	A		9.8	9.7	9.6	9.4	9.3	9.3							
	W	55.0		4122	5240	6840	7590	8380							
	P			2295	2257	2214	2194	2184							
	A			10.9	10.7	10.5	10.4	10.3							
ZR36K3EPFJ522 - Stub Tubes - POE Oil	W	45.0	4960	5950	7460	9640	10630	11700	49.49	3.0	PSC	MCC 23.0 RLA 16.4	82.0	30	
	P		2260	2250	2230	2193	2182	2172							
	A		11.1	11.1	11.0	10.8	10.8	10.7							
	W	50.0	4660	5630	7115	9230	10200	11230							
	P		2515	2500	2480	2444	2434	2423							
	A		12.2	12.1	12.0	12.0	11.9	11.8							
	W	55.0		5245	6690	8750	9680	10690							
	P			2806	2783	2750	2730	2720							
	A			13.5	13.4	13.2	13.1	13.0							
ZR40K3EPFJ522 - Stub Tubes - POE Oil	W	45.0	5370	6470	8155	10570	11640	12830	54.22	3.33	PSC	MCC 24.0 RLA 17.1	100.0	31	
	P		2505	2486	2458	2432	2421	2411							
	A		12.6	12.5	12.4	12.4	12.4	12.3							
	W	50.0	5090	6155	7790	10170	11230	12380							
	P		2812	2781	2743	2699	2689	2679							
	A		13.9	13.8	13.6	13.5	13.4	13.4							
	W	55.0		5745	7340	9650	10695	11795							
	P			3142	3091	3033	3013	2993							
	A			15.3	15.1	14.9	14.8	14.8							
ZR40K3ETFJ522 - Stub Tubes - POE Oil	W	45.0	5430	6520	8180	10570	11640	12770	54.22	3.33	3Ph	MCC 9.0 RLA 6.4	46.0	30	
	P		2468	2445	2411	2370	2359	2349							
	A		4.7	4.7	4.7	4.7	4.7	4.6							
	W	50.0	5115	6180	7820	10145	11175	12290							
	P		2776	2751	2710	2658	2648	2638							
	A		5.1	5.1	5.0	4.9	4.9	4.9							
	W	55.0		5800	7370	9650	10665	11740							
	P			3111	3061	3003	2993	2972							
	A			5.5	5.4	5.4	5.4	5.4							

Rating Conditions: 11.1K Superheat, 8.3Kb Subcooling, 35 Deg Ambient.

Supplied with: Internal Motor Protection, Rubber Mounting Kit, Electrics (Single Phase Only)

*Amps : MCC = maximum continuous current, RLA = MCC ÷ 1.4 (Copeland advises use RLA for contactor selection)

IMPORTANT – WARNING TO BE CLEARLY UNDERSTOOD PRIOR TO RUNNING ANY SCROLL COMPRESSOR:

- It is important that the SCROLL compressor is charged as quickly as possible by way of LIQUID REFRIGERANT INTO THE LIQUID LINE, this is to avoid insufficient volume of suction gas that would be detrimental to the compressor.
- **DO NOT VAPOUR CHARGE THE SYSTEM!**
- It is recommended the required refrigerant charge is bomb charged into the liquid side of the system.
- Topping up the system can be done carefully on the low side with liquid refrigerant through manifold service gauges.
- The **suction service valve** must NOT BE FULLY CLOSED at any time when the compressor is running.

COPELAND COMPRESSORS

R22 Air Conditioning Scroll Compressors

Capacities R22

Airefrig Part Number		Refrigeration Capacity - <u>W</u> atts							Consumption - <u>P</u> ower		Current - <u>A</u> mps				Kgs											
			Condensing Temperature °C						Displ cm ³ /r	Motor																
			Evaporating Temperature °C							HP	Type	*Amps	LRA													
			-10	-5	0	7.2	10	12.8																		
ZR47K3EPFJ522 - Stub Tubes - POE Oil	W	45.0	6650	8200	9900	12700	14050	15200	63.32	4.0	PSC	MCC 27.0 RLA 19.3	114.0	32												
	P		2780	2770	2770	2800	2820	2850																		
	A		14.0	14.0	14.0	14.1	14.2	14.3																		
	W	50.0	6250	7700	9350	12050	13350	14500							63.32	4.0	PSC	MCC 27.0 RLA 19.3	114.0	32						
	P		3140	3120	3110	3120	3140	3160																		
	A		15.4	15.4	15.4	15.4	15.5	15.6																		
	W	55.0		7200	8800	11400	12650	13750													63.32	4.0	PSC	MCC 27.0 RLA 19.3	114.0	32
	P			3540	3520	3510	3520	3530																		
	A			17.1	17.0	17.0	17.0	17.1																		
ZR48K3PFJ522 - Stub Tubes - Mineral Oil	W	45.0	6910	8155	10060	12830	14070	15390	65.49	4.0	PSC	MCC 27.0 RLA 19.3	114.0	33												
	P		2880	2880	2890	2920	2940	2970																		
	A		14.8	14.8	14.8	14.9	15.1	15.2																		
	W	50.0	6560	7790	9660	12320	13555	14840							65.49	4.0	PSC	MCC 27.0 RLA 19.3	114.0	33						
	P		3270	3260	3250	3260	3280	3300																		
	A		16.2	16.2	16.1	16.2	16.3	16.4																		
	W	55.0		7330	9140	11740	12925	14170													65.49	4.0	PSC	MCC 27.0 RLA 19.3	114.0	33
	P			3710	3690	3680	3690	3700																		
	A			17.9	17.8	17.8	17.8	17.9																		
ZR48KCETFD522 - Stub Tubes - POE Oil	W	45.0	6910	8155	10060	12830	14070	15390	65.49	4.0	3Ph	MCC 11.0 RLA 7.9	50.0	30												
	P		2811	2824	2858	2910	2952	2993																		
	A		5.5	5.5	5.5	5.6	5.7	5.7																		
	W	50.0	6560	7790	9660	12320	13555	14840							65.49	4.0	3Ph	MCC 11.0 RLA 7.9	50.0	30						
	P		3185	3183	3198	3241	3272	3303																		
	A		5.9	5.9	6.0	6.0	6.0	6.1																		
	W	55.0		7330	9140	11740	12925	14170													65.49	4.0	3Ph	MCC 11.0 RLA 7.9	50.0	30
	P			3627	3622	3650	3660	3690																		
	A			6.6	6.6	6.6	6.6	6.7																		
ZR54KCETFD522 - Stub Tubes - POE Oil	W	45.0	7640	9060	11190	14210	15590	17090	75.6	4.50	3Ph	MCC 11.6 RLA 8.3	61.8	36												
	P		3180	3211	3250	3284	3305	3315																		
	A		6.3	6.3	6.4	6.4	6.5	6.5																		
	W	50.0	7240	8640	10710	13670	15020	16450							75.6	4.50	3Ph	MCC 11.6 RLA 8.3	61.8	36						
	P		3502	3548	3586	3630	3640	3661																		
	A		6.7	6.7	6.8	6.9	7.0	7.0																		
	W	55.0		8140	10170	13040	14350	15710													75.6	4.50	3Ph	MCC 11.6 RLA 8.3	61.8	36
	P			3918	3976	4024	4044	4054																		
	A			7.2	7.3	7.4	7.4	7.5																		

Rating Conditions: 11.1K Superheat, 8.3Kb Subcooling, 35 Deg Ambient.

Supplied with: Internal Motor Protection, Rubber Mounting Kit, Electrics (Single Phase Only)

*Amps : MCC = maximum continuous current, RLA = MCC ÷ 1.4 (Copeland advises use RLA for contactor selection)

IMPORTANT – WARNING TO BE CLEARLY UNDERSTOOD PRIOR TO RUNNING ANY SCROLL COMPRESSOR:

- It is important that the SCROLL compressor is charged as quickly as possible by way of LIQUID REFRIGERANT INTO THE LIQUID LINE, this is to avoid insufficient volume of suction gas that would be detrimental to the compressor.
- **DO NOT VAPOUR CHARGE THE SYSTEM!**
- It is recommended the required refrigerant charge is bomb charged into the liquid side of the system.
- Topping up the system can be done carefully on the low side with liquid refrigerant through manifold service gauges.
- The **suction service valve** must NOT BE FULLY CLOSED at any time when the compressor is running.

COPELAND COMPRESSORS

R22 Air Conditioning Scroll Compressors

Capacities R22

Airefrig Part Number		Refrigeration Capacity - <u>W</u> atts							Consumption - <u>P</u> ower		Current - <u>A</u> mps				Kgs
			Condensing Temperature °C						Displ cm ³ /r	Motor					
			Evaporating Temperature °C							HP	Type	*Amps	LRA		
			-10	-5	0	7.2	10	12.8							
ZR61KCEPFZ522 - Stub Tubes - POE Oil	W	45.0	8655	10255	12680	16100	17590	19145	82.59	5.10	PSC	MCC 40.0 RLA 28.6	150.0	41	
	P		3842	3515	3578	3721	3814	3939							
	A		17.1	17.2	17.5	18.2	18.5	19.0							
	W	50.0	8225	9770	12145	15500	16965	18485							
	P		3921	3947	3998	4121	4202	4315							
	A		18.9	19.0	19.2	19.7	20.1	20.7							
	W	55.0		9245	11530	14780	16200	17710							
	P			4474	4504	4600	4681	4782							
	A			21.4	21.5	21.9	22.2	22.6							
ZR61KCETFD522 - Stub Tubes - POE Oil	W	45.0	8660	10260	12680	16100	17590	19140	82.59	5.10	3Ph	MCC 14.0 RLA 10.0	65.5	36	
	P		3450	3482	3536	3669	3762	3866							
	A		6.8	6.9	6.9	7.2	7.3	7.4							
	W	50.0	8220	9770	12140	15500	16960	18480							
	P		3850	3875	3924	4039	4121	4223							
	A		7.4	7.4	7.4	7.6	7.7	7.9							
	W	55.0		9250	11530	14780	16200	17710							
	P			4363	4390	4479	4550	4641							
	A			8.1	8.1	8.2	8.3	8.5							
ZR68KCEPFJ522 - Stub Tubes - POE Oil	W	45.0	9770	11530	14210	18040	19790	21620	96.4	5.75	PSC	MCC 43.0 RLA 30.7	150	44	
	P		4136	4141	4167	4240	4282	4344							
	A		20.3	20.3	20.4	20.8	20.9	21.1							
	W	50.0	9280	11000	13620	17370	19060	20860							
	P		4632	4609	4609	4652	4693	4744							
	A		22.3	22.3	22.3	22.5	22.6	22.8							
	W	55.0		10320	12880	16520	18140	19910							
	P			5232	5184	5187	5207	5247							
	A			24.9	24.8	24.8	24.9	25.0							
ZR68KCETFD522 - Stub Tubes - POE Oil	W	45.0	9400	11280	14130	18240	20130	22160	96.4	5.75	3Ph	MCC 14.0 RLA 10.0	67.0	44	
	P		4012	4001	4004	4022	4043	4064							
	A		7.4	7.4	7.4	7.5	7.5	7.5							
	W	50.0	8880	10730	13530	17570	19400	21380							
	P		4504	4484	4468	4479	4489	4509							
	A		8.0	8.0	8.0	8.0	8.0	8.1							
	W	55.0		10020	12750	16660	18460	20400							
	P			5037	5012	5015	5015	5035							
	A			8.7	8.7	8.7	8.7	8.7							

Rating Conditions: 11.1K Superheat, 8.3Kb Subcooling, 35 Deg Ambient.

Supplied with: Internal Motor Protection, Rubber Mounting Kit, Electrics (Single Phase Only)

*Amps : MCC = maximum continuous current, RLA = MCC ÷ 1.4 (Copeland advises use RLA for contactor selection)

IMPORTANT – WARNING TO BE CLEARLY UNDERSTOOD PRIOR TO RUNNING ANY SCROLL COMPRESSOR:

- It is important that the SCROLL compressor is charged as quickly as possible by way of LIQUID REFRIGERANT INTO THE LIQUID LINE, this is to avoid insufficient volume of suction gas that would be detrimental to the compressor.
- **DO NOT VAPOUR CHARGE THE SYSTEM!**
- It is recommended the required refrigerant charge is bomb charged into the liquid side of the system.
- Topping up the system can be done carefully on the low side with liquid refrigerant through manifold service gauges.
- The **suction service valve** must NOT BE FULLY CLOSED at any time when the compressor is running.

COPELAND COMPRESSORS

R22 Air Conditioning Scroll Compressors

Capacities R22

Airefrig Part Number		Refrigeration Capacity - <u>W</u> atts							Consumption - <u>P</u> ower		Current - <u>A</u> mps				Kgs					
			Condensing Temperature °C						Displ cm ³ /r	Motor										
			Evaporating Temperature °C							HP	Type	*Amps	LRA							
			-10	-5	0	7.2	10	12.8												
ZR72KCETFD522 - Stub Tubes - POE Oil	W	45.0	10040	11990	14940	19170	21090	23120	101.2	6.00	3Ph	MCC 14.0 RLA 10.0	67.0	39						
	P		4126	4141	4165	4219	4251	4292												
	A		7.5	7.5	7.5	7.6	7.6	7.7												
ZR72KCETFD523 - Rotalock Valve Kit - POE Oil	W	50.0	9500	11410	14290	18450	20320	22290												
	P		4627	4634	4647	4683	4703	4734												
	A		8.1	8.1	8.1	8.2	8.2	8.2												
ZR81KCETFD522 - Stub Tubes - POE Oil	W	45.0	11050	13240	16590	21260	23290	25400							114.3	6.75	3Ph	MCC 17.0 RLA 12.1	101.0	40
	P		4671	4708	4755	4833	4864	4916												
	A		9.6	9.6	9.7	9.8	9.9	9.9												
ZR81KCETFD523 - Rotalock Valve Kit - POE Oil	W	50.0	10460	12570	15830	20490	22550	24670												
	P		5169	5204	5248	5317	5348	5389												
	A		10.1	10.1	10.2	10.3	10.3	10.4												
ZR94KCETFD523 - Rotalock Valve Kit - POE Oil	W	45.0	13360	15930	19790	25290	27800	30450	131.6	8.00	3Ph	MCC 23.0 RLA 16.4	95.0	59						
	P		5602	5604	5620	5685	5737	5809												
	A		10.7	10.7	10.8	10.9	10.9	11.0												
ZR108KCETFD523 - Rotalock Valve Kit - POE Oil	W	50.0	12540	15110	18930	24360	26820	29430												
	P		6237	6224	6222	6258	6299	6350												
	A		11.6	11.6	11.6	11.6	11.7	11.8												
ZR125KCETFD523 - Rotalock Valve Kit - POE Oil	W	45.0	15410	18230	22530	28730	31550	34540							152.9	9.00	3Ph	MCC 24.2 RLA 17.3	114.0	64
	P		6365	6404	6464	6579	6641	6724												
	A		12.0	12.0	12.1	12.2	12.3	12.4												
ZR108KCETFD523 - Rotalock Valve Kit - POE Oil	W	50.0	14660	17430	21630	27710	30430	33360												
	P		7030	7055	7099	7178	7229	7290												
	A		12.8	12.8	12.8	12.9	13.0	13.1												
ZR125KCETFD523 - Rotalock Valve Kit - POE Oil	W	55.0	16400	20490	26370	29040	31880	171.4	10.00	3Ph	MCC 26.9 RLA 19.2	125.0	64							
	P		7866	7873	7916	7947	7987													
	A		13.9	13.9	13.9	14.0	14.0													
ZR125KCETFD523 - Rotalock Valve Kit - POE Oil	W	45.0	17890	21080	25950	32870	35950							39190						
	P		7400	7457	7524	7639	7691							7774						
	A		13.7	13.7	13.8	14.0	14.0							14.1						
ZR125KCETFD523 - Rotalock Valve Kit - POE Oil	W	50.0	17110	20200	24950	31750	34760							37940						
	P		8165	8216	8275	8354	8405							8456						
	A		14.6	14.6	14.7	14.9	14.9							15.0						
ZR125KCETFD523 - Rotalock Valve Kit - POE Oil	W	55.0	19080	23680	30310	33270	36370	171.4	10.00	3Ph	MCC 26.9 RLA 19.2	125.0	64							
	P		9130	9170	9231	9261	9301													
	A		15.9	16.0	16.1	16.1	16.2													

Rating Conditions: 11.1K Superheat, 8.3Kb Subcooling, 35 Deg Ambient.

Supplied with: Internal Motor Protection, Rubber Mounting Kit, Electrics (Single Phase Only)

*Amps : MCC = maximum continuous current, RLA = MCC ÷ 1.4 (Copeland advises use RLA for contactor selection)

COPELAND COMPRESSORS

R22 Air Conditioning Scroll Compressors

Capacities R22

Airefrig Part Number		Refrigeration Capacity - <u>Watts</u>							Consumption - <u>Power</u>		Current - <u>Amps</u>				Kgs											
			Condensing Temperature °C							Displ cm ³ /r	Motor															
			Evaporating Temperature °C								HP	Type	*Amps	LRA												
			-10	-5	0	7.2	10	12.8																		
ZR144KCETFD523 - Rotalock Valve Kit - POE Oil	W	45.0	20500	24230	29850	37800	41280	44910	197.6	12.00	3Ph	MCC 31.0 RLA 22.1	125.0	63												
	P		8309	8363	8441	8595	8699	8834																		
	A		17.2	17.3	17.4	17.7	17.8	18.1																		
	W	50.0	19370	22970	28500	36340	39770	43380							209.1	13.00	3Ph	MCC 35.0 RLA 25.0	140.0	65						
	P		9146	9205	9261	9366	9448	9550																		
	A		18.5	18.5	18.6	18.8	18.9	19.1																		
	W	55.0		21480	26800	34430	37820	41380													211.9	13.00	3Ph	MCC 38.1 RLA 27.2	167.0	103
	P			10194	10244	10313	10363	10444																		
	A			20.1	20.2	20.3	20.4	20.5																		
W	45.0	21400	26800	33000	42000	46500	50500	249.1	15.00	3PH	MCC 42.0 RLA 30.0	174.0	67													
P		8900	9000	9150	9350	9400	9400																			
A		17.0	17.1	17.2	17.4	17.5	17.7																			
W	50.0	20490	24500	30420	38860	42730	46850							250.6	15.00	3Ph	MCC 37.0 RLA 26.4	189.0	119							
P		10138	10204	10235	10235	10225	10235																			
A		18.0	18.1	18.0	18.0	18.0	18.0																			
W	55.0		22950	28800	37010	40720	44690													250.6	15.00	3Ph	MCC 37.0 RLA 26.4	189.0	119	
P			11263	11326	11324	11313	11303																			
A			19.4	19.4	19.3	19.3	19.3																			
W	45.0	25300	31500	39000	50000	55500	60500	250.6	15.00	3Ph	MCC 37.0 RLA 26.4	189.0	119													
P		10900	11000	11100	11200	11300	11300																			
A		21.9	22.1	22.2	22.4	22.4	22.5																			
W	50.0	23000	29400	36500	47500	53000	57500							250.6	15.00	3Ph	MCC 37.0 RLA 26.4	189.0	119							
P		12100	12200	12300	12400	12500	12500																			
A		23.5	23.7	23.8	24.0	24.0	24.1																			
W	55.0		26700	33500	44500	50000	54500													250.6	15.00	3Ph	MCC 37.0 RLA 26.4	189.0	119	
P			13600	13700	13800	13800	13800																			
A			25.5	25.7	25.8	25.9	25.9																			
W	45.0	26500	31340	38640	49140	53930	59070	250.6	15.00	3Ph	MCC 37.0 RLA 26.4	189.0	119													
P		11084	11123	11133	11151	11172	11203																			
A		20.7	20.8	20.8	20.8	20.9	20.9																			
W	50.0	25300	30100	37270	47510	52120	57080							250.6	15.00	3Ph	MCC 37.0 RLA 26.4	189.0	119							
P		12219	12293	12334	12331	12342	12352																			
A		22.0	22.1	22.2	22.2	22.2	22.2																			
W	55.0		28580	35540	45410	49850	54600													250.6	15.00	3Ph	MCC 37.0 RLA 26.4	189.0	119	
P			13631	13707	13730	13730	13720																			
A			23.8	23.9	24.0	24.0	24.0																			

Rating Conditions: 11.1K Superheat, 8.3Kb Subcooling, 35 Deg Ambient.

Supplied with: Internal Motor Protection, Rubber Mounting Kit, Electrics (Single Phase Only)

*Amps : MCC = maximum continuous current, RLA = MCC ÷ 1.4 (Copeland advises use RLA for contactor selection)

COPELAND COMPRESSORS

R22 Air Conditioning Scroll Compressors

Capacities R22

Airefrig Part Number		Refrigeration Capacity - Watts							Consumption – Power		Current – Amps			
		Condensing Temperature °C							Displ cm ³ /r	Motor				Kgs
		Evaporating Temperature °C								HP	Type	*Amps	LRA	
		-10	-5	0	7.2	10	12.8							
ZR250KCETWD523 - Rotalock Valve Kit - Crankcase Heater - Oil Sight Glass - POE Oil	W		34500	42000	51000	65000	72000	78000	325.0	20.00	3Ph	MCC 47.0 RLA 33.6	225.0	140
	P	45.0	14200	14300	14400	14700	14800	14900						
	A		24.8	25.0	25.2	25.4	25.6	25.7						
	W		32000	39500	48500	62000	69000	75000						
	P	50.0	15800	15900	16000	16200	16300	16300						
	A		26.9	27.1	27.2	27.5	27.6	27.7						
	W		37000	45500	59000	65500	71500							
	P	55.0	17700	17800	17900	18000	18100							
	A		29.5	29.7	29.9	30.0	30.0							
ZR310KCETWD523 - Rotalock Valve Kit - Crankcase Heater - Oil Sight Glass - POE Oil	W		41000	50000	60000	76500	84500	92000	410.0	25.00	3Ph	MCC 58.0 RLA 41.4	272.0	185
	P	45.0	15900	16200	16400	16700	16800	16800						
	A		28.9	29.2	29.5	29.8	30.0	30.1						
	W		39000	47500	57000	73000	81000	88000						
	P	50.0	17700	17900	18100	18400	18500	18600						
	A		31.2	31.5	31.8	32.2	32.3	32.4						
	W		45000	54000	69500	77500	84000							
	P	55.0	19800	20000	20300	20400	20500							
	A		34.1	34.4	34.9	35.0	35.2							
ZR380KCETWD523 - Rotalock Valve Kit - Crankcase Heater - Oil Sight Glass - POE Oil	W		53500	65500	79000	100000	110500	119000	502.0	30	3Ph	MCC 76.0 RLA 54.3	310	177
	P	45.0	20900	21100	21400	22100	22500	22800						
	A		37.2	37.6	38.0	38.9	39.4	39.9						
	W		50000	61500	75000	96000	105500	114500						
	P	50.0	23200	23400	23700	24300	24600	24900						
	A		40.4	40.7	41.1	42.0	42.4	42.9						
	W		57500	70500	91000	100500	109000							
	P	55.0	26000	26300	26800	27100	27400							
	A		44.4	44.7	45.5	45.9	46.3							

Rating Conditions: 11.1K Superheat, 8.3Kb Subcooling, 35 Deg Ambient.

Supplied with: Internal Motor Protection, Rubber Mounting Kit, Electrics (Single Phase Only)

*Amps : MCC = maximum continuous current, RLA = MCC ÷ 1.4 (Copeland advises use RLA for contactor selection)

Prices

Airefrig Part Number	List Price Excl GST
ZR28K3EPFJ522	\$1,402.66
ZR36K3EPFJ522	\$1,519.79
ZR40K3EPFJ522	\$1,535.89
ZR40K3ETFD522	\$1,518.97
ZR47K3EPFJ522	\$2,200.79
ZR48K3PFJ522	\$1,976.06
ZR48KCETFD522	\$2,124.47
ZR54KCETFD522	\$2,027.82
ZR61KCEPFZ522	P.O.A.

Airefrig Part Number	List Price Excl GST
ZR61KCETFD522	\$2,049.32
ZR68KCEPFJ522	\$2,248.23
ZR68KCETFD522	\$2,118.35
ZR72KCETFD522	\$2,179.55
ZR72KCETFD523	\$2,482.08
ZR81KCETFD522	\$2,155.69
ZR81KCETFD523	\$2,792.48
ZR94KCETFD523	\$3,558.45
ZR108KCETFD523	\$3,924.68

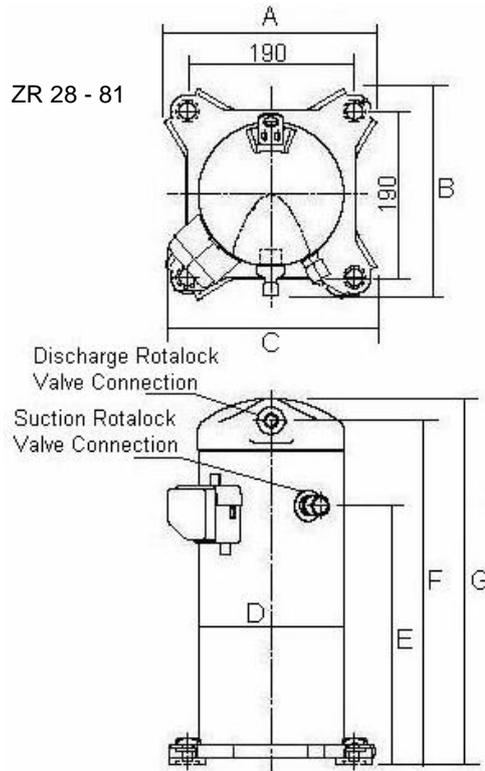
Airefrig Part Number	List Price Excl GST
ZR125KCETFD523	\$4,000.89
ZR144KCETFD523	\$4,444.83
ZR160KCETFD523	\$5,398.97
ZR190KCETFD523	\$5,826.11
ZR16M3ETWD551	\$5,887.35
ZR19M3ETWD551	\$6,739.95
ZR250KCETWD523	\$9,072.00
ZR310KCETWD523	\$9,639.00
ZR380KCETWD523	\$12,829.51

COPELAND COMPRESSORS

R22 Air Conditioning Scroll Compressors

Dimensions & Specifications

Airefrig Part Number	A	B	C	D	E	F	G	Connections		Oil Charge Litres	Run Capacitor MFD/Volts	C/Case Heater Not Supplied	Wiring Drg. No.					
								Suct	Disch									
ZR28K3EPFJ522	245	236	243	166	264	357	383	3/4	1/2	1.00	45/370	018005700 CH-280 240V 70W	2					
ZR36K3EPFJ522					284	381	406	3/4	1/2	1.12	50/370		2					
ZR40K3EPFJ522					296	393	420	3/4	1/2	1.12	55/370		2					
ZR40K3ETFD522					3/4	1/2	1.12	N/A	4									
ZR47K3EPFJ522					7/8	1/2	1.12	60/370	2									
ZR48K3PFJ522					7/8	1/2	1.12	60/370	2									
ZR48KCETFD522					7/8	1/2	1.24	N/A	4									
ZR54KCETFD522	241	245	238	185	317	430	458	7/8	1/2	1.83	50/440		4					
ZR61KCEPFZ522								7/8	1/2	1.54	50/440		2					
ZR61KCETFD522								7/8	1/2	1.83	N/A		4					
ZR68KCEPFJ522								7/8	1/2	1.72	50/440		2					
ZR68KCETFD522								7/8	1/2	1.66	N/A		4					
ZR72KCETFD522								7/8	1/2	1.66			4					
ZR72KCETFD523								7/8	1/2	1.66			4					
ZR81KCETFD523								7/8	3/4	1.66		4						
ZR81KCETFD522								249	249						7/8	3/4	1.66	4
								7/8							3/4	1.66	4	



IMPORTANT – WARNING TO BE CLEARLY UNDERSTOOD PRIOR TO RUNNING ANY SCROLL COMPRESSOR:

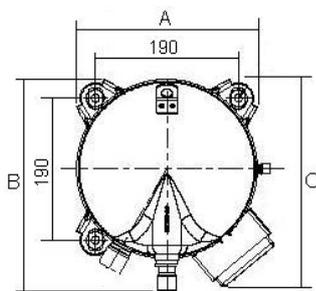
- It is important that the SCROLL compressor is charged as quickly as possible by way of LIQUID REFRIGERANT INTO THE LIQUID LINE, this is to avoid insufficient volume of suction gas that would be detrimental to the compressor.
- **DO NOT VAPOUR CHARGE THE SYSTEM!**
- It is recommended the required refrigerant charge is bomb charged into the liquid side of the system.
- Topping up the system can be done carefully on the low side with liquid refrigerant through manifold service gauges.
- The **suction service valve** must NOT BE FULLY CLOSED at any time when the compressor is running.

COPELAND COMPRESSORS

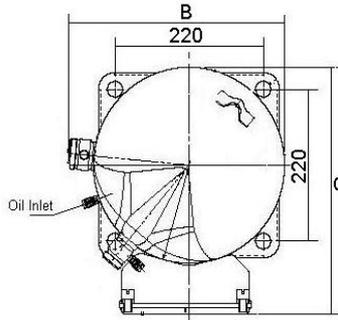
R22 Air Conditioning Scroll Compressors

Dimensions & Specifications

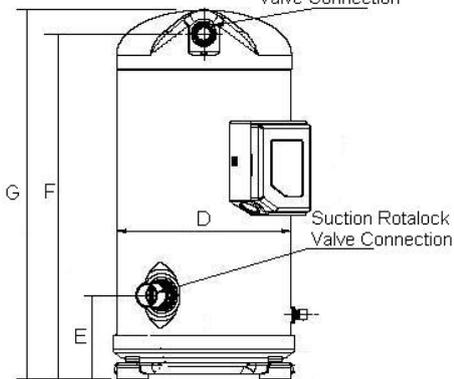
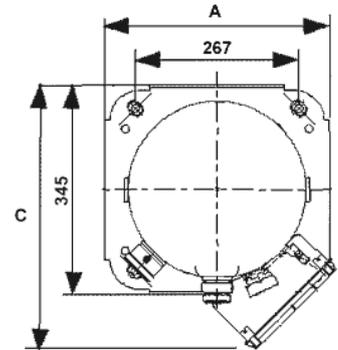
Airefrig Part Number	A	B	C	D	E	F	G	Connections		Oil Charge Litres	Run Capacitor MFD/Volts	C/Case Heater Not Supplied	Wiring Drg. No.
								Suct	Disch				
ZR94KCETFD523	243	285	279	232	113	463	495	1 1/8	3/4	2.39	N/A	018004701 CH-255 240V 90W	4
ZR108KCETFD523					13/8	7/8	3.14	4					
ZR125KCETFD523					13/8	7/8	3.14	4					
ZR144KCETFD523					13/8	7/8	3.14	4					
ZR160KCETFD523					13/8	7/8	3.14	-					
ZR190KCETFD523					13/8	7/8	3.14	-					
ZR16M3ETWD551	-	319	357	283	324	511	551	1 3/8	7/8	4.05		018003600 CH-202 240V 70W	-
ZR19M3ETWD551	-	324				552	598	1 5/8	1 1/8	4.05		-	
ZR250KCETWD523	386	-	432	289	333	667	716	1 5/8	1 3/8	4.67		018005604 240V 120W	-
ZR310KCETWD523	386	-	449	334	375	660	716	1 5/8	1 3/8	5.91		018006805 240V 150W	-
ZR380KCETWD523	367	-	449	331	375	660	716	1 5/8	1 3/8	6.30		-	-



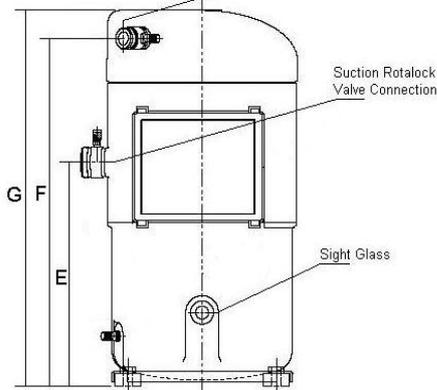
Discharge Rotolock Valve Connection



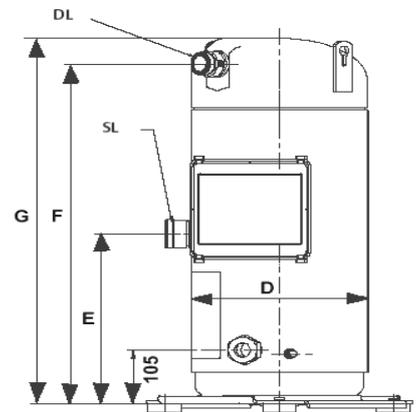
Discharge Rotolock Valve Connection



ZR 94 – 190



ZR 16 – 19



ZR 250 – 380

COPELAND COMPRESSORS

R410A Air Conditioning Scroll Compressors

Capacities R410A

Airefrig Part Number		Refrigeration Capacity - <u>Watts</u>							Consumption - <u>Power</u>		Current - <u>Amps</u>				Kgs											
			Condensing Temperature °C						Displ cm ³ /r	Motor																
			Evaporating Temperature °C							HP	Type	*Amps	LRA													
			-10	-5	0	7.2	10	12																		
ZP57K3ETFD522 - Stub Tubes - POE Oil	W	45.0	8200	10100	12200	15700	17400	18600	53.0	4.75	3Ph	MCC 15.0 RLA 10.7	74.0	42												
	P		3820	3760	3700	3630	3600	3580																		
	A		7.1	7.1	7	6.9	6.9	6.9																		
	W	50.0	7500	9350	11400	14700	16300	17500							57.0	5.0	3Ph	MCC 15.2 RLA 10.9	64.0	41						
	P		4370	4290	4220	4120	4090	4060																		
	A		7.8	7.7	7.6	7.5	7.5	7.4																		
	W	55.0		10500	13700	15200	16300	8500													62.0	5.5	3Ph	MCC 16.5 RLA 11.8	74.0	40
	P			4800	4680	4630	4600	4890																		
	A			8.3	8.2	8.1	8.1	8.4																		
W	45.0	8350	10500	12850	16700	18600	19900	57.0	5.0	3Ph	MCC 15.2 RLA 10.9	64.0	41													
P		4110	4040	3960	3840	3780	3730																			
A		7.3	7.2	7.1	6.9	6.9	6.8																			
W	50.0	7500	9600	11900	15600	17400	18700							62.0	5.5	3Ph	MCC 16.5 RLA 11.8	74.0	40							
P		4600	4520	4430	4300	4230	4180																			
A		8.0	7.9	7.8	7.6	7.5	7.5																			
W	55.0		8600	10850	14450	16200	17400													66.0	6.0	3Ph	MCC 17.5 RLA 12.5	75.0	40	
P			5050	4970	4820	4750	4700																			
A			8.7	8.6	8.4	8.3	8.2																			
W	45.0	9450	11650	14200	18200	20100	21500	66.0	6.0	3Ph	MCC 17.5 RLA 12.5	75.0	40													
P		4200	4200	4200	4200	4200	4200																			
A		7.7	7.7	7.7	7.7	7.7	7.7																			
W	50.0	8600	10750	13200	17100	18900	20200							66.0	6.0	3Ph	MCC 17.5 RLA 12.5	75.0	40							
P		4710	4710	4710	4700	4700	4710																			
A		8.4	8.4	8.4	8.4	8.4	8.4																			
W	55.0		9800	12150	15800	17600	18800													66.0	6.0	3Ph	MCC 17.5 RLA 12.5	75.0	40	
P			5300	5300	5300	5250	5250																			
A			9.2	9.2	9.2	9.2	9.2																			
W	45.0	10300	12550	15100	19400	21500	22900	66.0	6.0	3Ph	MCC 17.5 RLA 12.5	75.0	40													
P		4520	4530	4540	4550	4550	4560																			
A		8.1	8.1	8.2	8.2	8.2	8.2																			
W	50.0	9550	11650	14100	18100	20100	21500							66.0	6.0	3Ph	MCC 17.5 RLA 12.5	75.0	40							
P		5100	5100	5100	5100	5100	5100																			
A		9.0	9.0	9.0	9.0	9.0	9.0																			
W	55.0		10750	13050	16800	18700	20000													66.0	6.0	3Ph	MCC 17.5 RLA 12.5	75.0	40	
P			5750	5750	5750	5750	5750																			
A			9.9	9.9	9.9	9.9	10.0																			

Rating Conditions: 11.1K Superheat, 8.3Kb Subcooling, 35 Deg Ambient.

Supplied with: Internal Motor Protection, Rubber Mounting Kit.

*Amps : MCC = maximum continuous current, RLA = MCC ÷ 1.4 (Copeland advises use RLA for contactor selection)

IMPORTANT – WARNING TO BE CLEARLY UNDERSTOOD PRIOR TO RUNNING ANY SCROLL COMPRESSOR:

- It is important that the SCROLL compressor is charged as quickly as possible by way of LIQUID REFRIGERANT INTO THE LIQUID LINE, this is to avoid insufficient volume of suction gas that would be detrimental to the compressor.
- **DO NOT VAPOUR CHARGE THE SYSTEM!**
- It is recommended the required refrigerant charge is bomb charged into the liquid side of the system.
- Topping up the system can be done carefully on the low side with liquid refrigerant through manifold service gauges.
- The **suction service valve** must NOT BE FULLY CLOSED at any time when the compressor is running.

COPELAND COMPRESSORS

R410A Air Conditioning Scroll Compressors

Capacities R410A

Airefrig Part Number		Refrigeration Capacity - <u>W</u> atts							Consumption - <u>P</u> ower		Current - <u>A</u> mps				Kgs											
			Condensing Temperature °C						Displ cm ³ /r	Motor																
			Evaporating Temperature °C							HP	Type	*Amps	LRA													
			-10	-5	0	7.2	10	12																		
ZP83KCETFD522 - Stub Tubes - POE Oil	W	45.0	9500	11800	14450	21000	22500	24900	76.0	7.0	3Ph	MCC 19.0 RLA 13.6	101.0	40												
	P		5050	5050	5100	5150	5150	5200																		
	A		9.9	9.9	10.0	10.0	10.1	10.1																		
	W	50.0	10900	13400	16300	21100	23400	25100							76.0	7.0	3Ph	MCC 19.0 RLA 13.6	101.0	40						
	P		5750	5750	5750	5800	5800	5850																		
	A		10.8	10.8	10.8	10.9	10.9	11.0																		
	W	55.0		12300	15100	18200	21900	23500													76.0	7.0	3Ph	MCC 19.0 RLA 13.6	101.0	40
	P			6500	6500	6500	6500	6550																		
	A			11.8	11.8	11.8	11.9	11.9																		
ZP103KCETFD522 - Stub Tubes - POE Oil	W	45.0	14800	18300	22200	28300	31500	33500	95.0	9.0	3Ph	MCC 26.0 RLA 18.6	111.0	62												
	P		6400	6300	6300	6350	6400	6450																		
	A		12.6	12.5	12.5	12.5	12.6	12.7																		
	W	50.0	13500	16900	20700	26600	29400	31500							95.0	9.0	3Ph	MCC 26.0 RLA 18.6	111.0	62						
	P		7250	7150	7050	7050	7100	7150																		
	A		13.6	13.5	13.4	13.4	13.5	13.5																		
	W	55.0		15400	19100	24800	27500	29400													95.0	9.0	3Ph	MCC 26.0 RLA 18.6	111.0	62
	P			8100	8000	7900	7950	7950																		
	A			14.7	14.6	14.5	14.5	14.6																		
ZP120KCETFD522 - Stub Tubes - POE Oil	W	45.0	17350	21400	26000	33400	36900	39400	111.0	10.0	3Ph	MCC 28.0 RLA 20.0	118.0	62												
	P		7410	7360	7320	7290	7300	7320																		
	A		14.15	14.05	14.0	14.0	14.0	14.0																		
	W	50.0	15850	19750	24100	31200	34600	37000							111.0	10.0	3Ph	MCC 28.0 RLA 20.0	118.0	62						
	P		8390	8320	8260	8190	8180	8180																		
	A		15.5	15.4	15.35	15.25	15.25	15.25																		
	W	55.0		17950	22100	28900	32100	34400													111.0	10.0	3Ph	MCC 28.0 RLA 20.0	118.0	62
	P			9430	9340	9240	9200	9190																		
	A			17.0	16.9	16.75	16.7	16.7																		
ZP182KCETFD522 - Stub Tubes - POE Oil	W	45.0	26600	32500	39000	49500	54500	58500	164.0	15.0	3Ph	MCC 40.0 RLA 28.6	174.0	67												
	P		10800	10900	11000	11100	11200	11200																		
	A		22.4	22.5	22.7	22.9	23.0	23.0																		
	W	50.0	24700	30000	36500	46500	51500	55000							164.0	15.0	3Ph	MCC 40.0 RLA 28.6	174.0	67						
	P		12000	12100	12100	12300	12400	12400																		
	A		24.1	24.2	24.4	24.5	24.6	24.7																		
	W	55.0		27800	33500	43000	47500	51000													164.0	15.0	3Ph	MCC 40.0 RLA 28.6	174.0	67
	P			13500	13500	13600	13700	13700																		
	A			26.3	26.4	26.5	26.6	26.6																		

Rating Conditions: 11.1K Superheat, 8.3Kb Subcooling, 35 Deg Ambient.

Supplied with: Internal Motor Protection, Rubber Mounting Kit.

*Amps : MCC = maximum continuous current, RLA = MCC ÷ 1.4 (Copeland advises use RLA for contactor selection)

Prices

Airefrig Part Number	List Price Excl GST
ZP57K3ETFD522	\$1,754.52
ZP61KCETFD522	\$1,927.20
ZP67KCETFD522	\$1,929.04

Airefrig Part Number	List Price Excl GST
ZP72KCETFD522	\$2,054.04
ZP83KCETFD522	\$2,175.20
ZP103KCETFD522	\$3,322.16

Airefrig Part Number	List Price Excl GST
ZP120KCETFD522	\$3,481.00
ZP182KCETFD522	\$4,294.52



AIREFRIG AUSTRALIA PTY LTD
RECOMMENDED LIST PRICES
A.B.N. 95 008 761 573

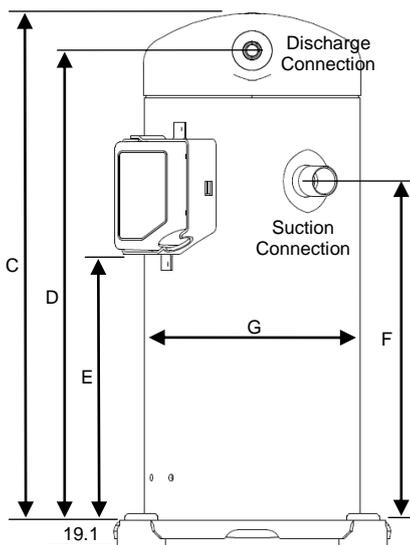
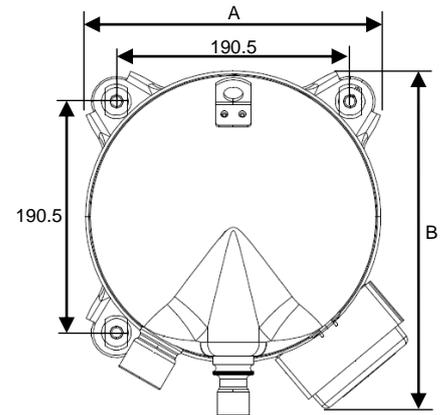
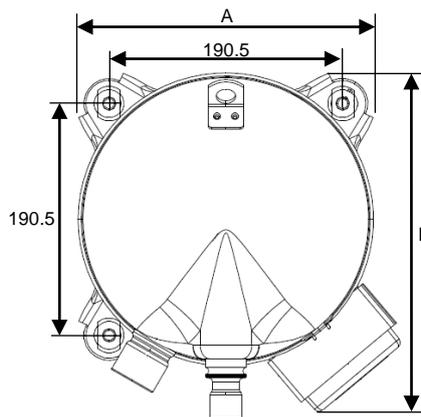
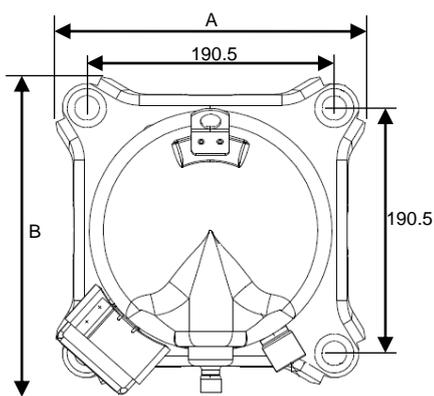
ALL PRICES ARE EXCLUSIVE OF GST
SUBJECT TO CHANGE WITHOUT NOTICE
EFFECTIVE MARCH 2012

COPELAND COMPRESSORS

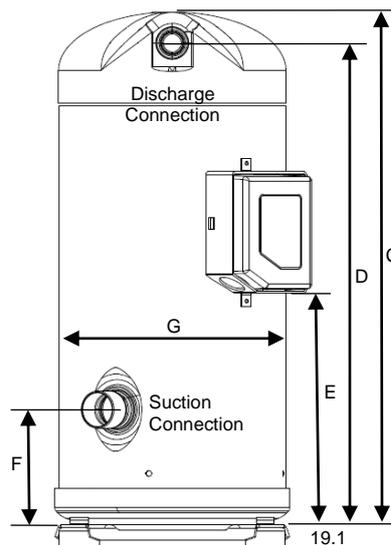
R410A Air Conditioning Scroll Compressors

Dimensions & Specifications

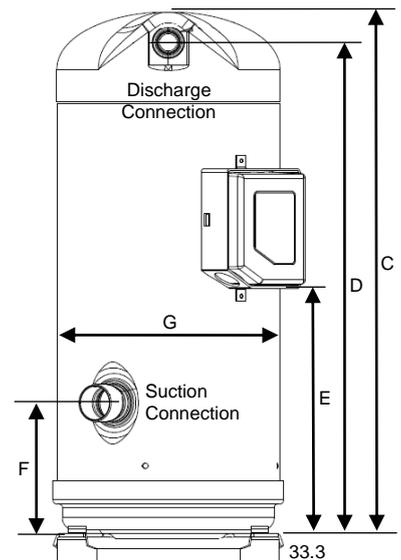
Airefrig Part Number	A (mm)	B (mm)	C (mm)	D (mm)	E (mm)	F (mm)	G (mm)	Connections		Oil Charge Litres	Run Capacitor MFD/Volts	C/Case Heater Not Supplied	Wiring Drg. No.
								Suct	Disch				
ZP57K3ETFD522	245	250	440 to 446	410	231 to 237	298	186	7/8	1/2	2.0	N/A	018005700 CH-280 240V 70W	4
ZP61KCETFD522								7/8	1/2				4
ZP67KCETFD522								7/8	1/2				4
ZP72KCETFD522								7/8	1/2				4
ZP83KCETFD522								7/8	1/2				4
ZP103KCETFD522	242	279	533	501	243	122	232	1-3/8	7/8	3.0		018004701 CH-255 240V 90W	4
ZP120KCETFD522								1-3/8	7/8				4
ZP182KCETFD522								1-3/8	7/8				4



ZP57 to ZP83



ZP103 to ZP120



ZP182

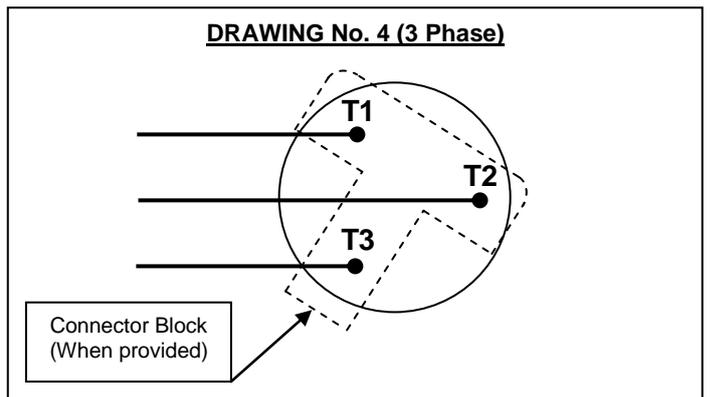
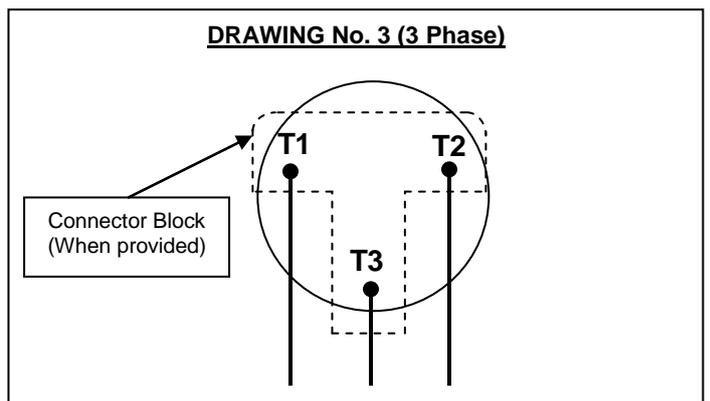
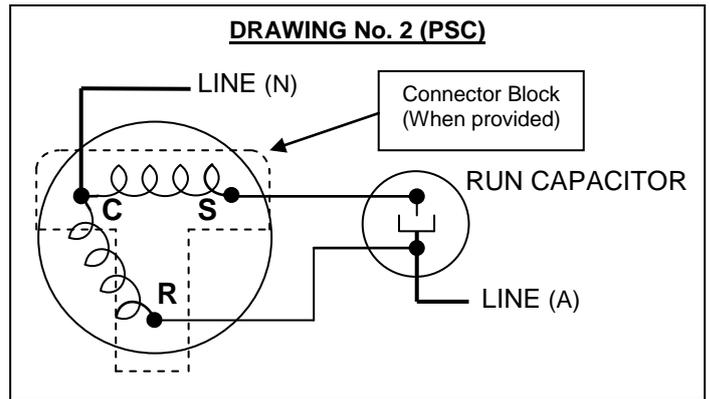
IMPORTANT – WARNING TO BE CLEARLY UNDERSTOOD PRIOR TO RUNNING ANY SCROLL COMPRESSOR:

- It is important that the SCROLL compressor is charged as quickly as possible by way of LIQUID REFRIGERANT INTO THE LIQUID LINE, this is to avoid insufficient volume of suction gas that would be detrimental to the compressor.
- **DO NOT VAPOUR CHARGE THE SYSTEM!**
- It is recommended the required refrigerant charge is bomb charged into the liquid side of the system.
- Topping up the system can be done carefully on the low side with liquid refrigerant through manifold service gauges.
- The suction service valve must NOT BE FULLY CLOSED at any time when the compressor is running.

COPELAND COMPRESSORS

Electrical Details

Airefrig Part Number	Resistance (+/- 7%) OHMS	Drawing Number
ZB Series		
ZB45KCETFD551	Line to Line 2.27	4
ZB58KQETFD551	Line to Line 1.799	4
ZB76KQETFD551	Line to Line 1.227	4
ZR Series		
ZR28K3EPFJ522	Start 2.23 / Run 1.20	2
ZR36K3EPFJ522	Start 1.84 / Run 0.89	2
ZR40K3EPFJ522	Start 1.81 / Run 0.75	2
ZR40K3ETFD522	Line to Line 4.03	4
ZR47K3EPFJ522	Start 1.67 / Run 0.59	2
ZR48K3PFJ522	Start 1.67 / Run 0.59	2
ZR48KCETFD522	Line to Line 3.88	4
ZR54KCETFD522	Line to Line 2.90	4
ZR61KCEPFZ522	Start 1.89 / Run 0.41	2
ZR61KCETFD522	Line to Line 2.75	4
ZR68KCEPFJ522	Start 1.88 / Run 0.41	2
ZR68KCETFD522	Line to Line 2.27	4
ZR72KCETFD522	Line to Line 2.27	4
ZR81KCETFD522	Line to Line 1.79	4
ZR94KCETFD523	Line to Line 1.59	4
ZR108KCETFD523	Line to Line 1.36	4
ZR125KCETFD523	Line to Line 1.23	4
ZR144KCETFD523	Line to Line 1.23	4
ZR160KCETFD523	Line to Line 1.09	4
ZR16M3ETWD551	Line to Line 0.83	4
ZR190KCETFD523	Line to Line 0.83	4
ZR19M3ETWD551	Line to Line 0.72	-
ZR250KCETWD523	Line to Line 0.63	-
ZR310KCETWD523	Line to Line 0.51	-
ZR380KCETWD523	Line to Line 0.35	-
ZP Series		
ZP57K3ETFD522	Line to Line 2.47	4
ZP61KCETFD522	Line to Line 2.80	4
ZP67KCETFD522	Line to Line 2.47	4
ZP72KCETFD522	Line to Line 2.47	4
ZP83KCETFD522	Line to Line 1.79	4
ZP103KCETFD522	Line to Line 1.36	4
ZP120KCETFD522	Line to Line 1.24	4
ZP182KCETFD522	Line to Line 0.83	4



COPELAND COMPRESSORS

Selection Guide Contactors, Thermal Overloads & Fuses

Airefrig Part Number	Fuse Rating	Fuse Holder	Contactors	Thermal Overload
ZR28K3EPFJ522	32A (NS20M32)	SC32H		
ZR36K3EPFJ522	32A (NS20M32)	SC32H		
ZR40K3EPFJ522	40A (TIA32M40L)	RS32H		
ZR40K3ETFD522	20A (NS20)	SC32H	GMC 9-11 AC-3 Rating 9A	GTK 22/3-5 (5-8A)
ZR42K3PFJ522	40A (TIA32M40L)	RS32H		
ZR47K3EPFJ522	32A (NS25M32)	SC32H		
ZR48K3PFJ522	32A (NS25M32)	SC32H		
ZR48KCETFD522	20A (NS20)	SC32H	GMC 12-11 AC-3 Rating 12A	GTK 22/3-6 (6-9A)
ZR54KCETFD522	20A (NS20)	SC32H	GMC 12-11 AC-3 Rating 12A	GTK 22/3-6 (6-9A)
ZR61KCEPFZ522	63A (TIA32M63L)	RS32H		
ZR61KCETFD522	25A (NS20M25)	SC32H	GMC 12-11 AC-3 Rating 12A	GTK 22/3-9 (9-13A)
ZR68KCEPFJ522	50A (TIA32M50L)	RS32H		
ZR68KCETFD522	25A (NS20M25)	SC32H	GMC 12-11 AC-3 Rating 12A	GTK 22/3-9 (9-13A)
ZR72KCETFD522 / 523	25A (NS20M25)	SC32H	GMC 12-11 AC-3 Rating 12A	GTK 22/3-9 (9-13A)
ZR81KCETFD522 / 523	32A (NS20M32)	SC32H	GMC 18-11 AC-3 Rating 18A	GTK 22/3-12 (12-18A)
ZR94KCETFD523	40A (TIA32M40L)	RS32H	GMC 18-11 AC-3 Rating 18A	GTK 22/3-12 (12-18A)
ZR108KCETFD523	40A (TIA32M40L)	RS32H	GMC 18-11 AC-3 Rating 18A	GTK 22/3-16 (16-22A)
ZR125KCETFD523	50A (TIA32M50L)	RS32H	GMC 32-22 AC-3 Rating 32A	GTK 40/3-18 (18-26A)
ZR144KCETFD523	50A (TIA32M50L)	RS32H	GMC 32-22 AC-3 Rating 32A	GTK 40/3-18 (18-26A)
ZR160KCETFD523			GMC 32-22 AC-3 Rating 32A	GTK 40/3-18 (18-26A)
ZR16M3ETWD551	63A (TIA32M63L)	RS32H	GMC 32-22 AC-3 Rating 32A	GTK 40/3-18 (18-26A)
ZR190KCETFD523			GMC 32-22 AC-3 Rating 32A	GTK 40/3-24 (24-36A)
ZR19M3ETWD551	63A (TIA32M63L)	RS32H	GMC 32-22 AC-3 Rating 32A	GTK 40/3-24 (24-36A)
ZR250KCETWD523			GMC 40-22 AC-3 Rating 40A	GTK 40/3-28 (28-40A)
ZR310KCETWD523			GMC 50-22 AC-3 Rating 50A	GTK 85/3-34 (34-50A)
ZR380KCETWD523			GMC 65-22 AC-3 Rating 65A	GTK 85/3-45 (45-65A)